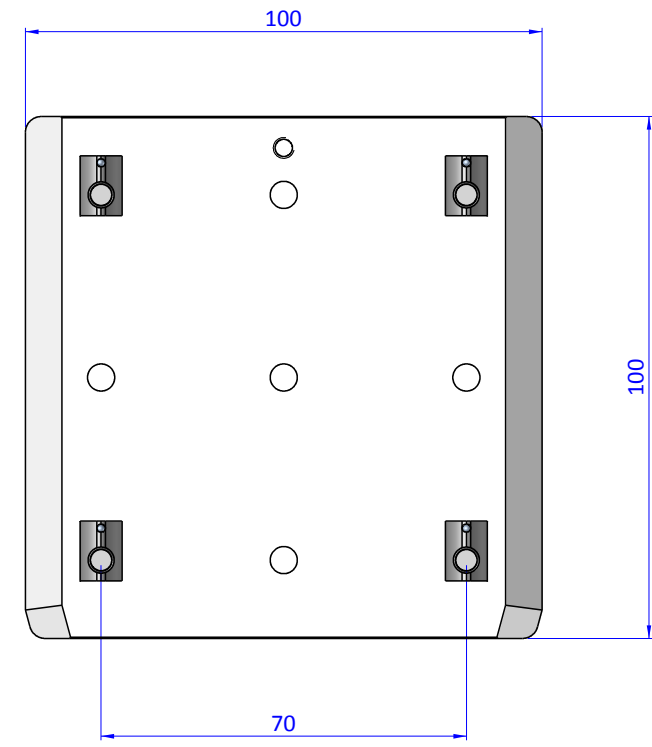
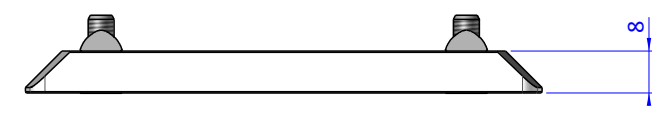
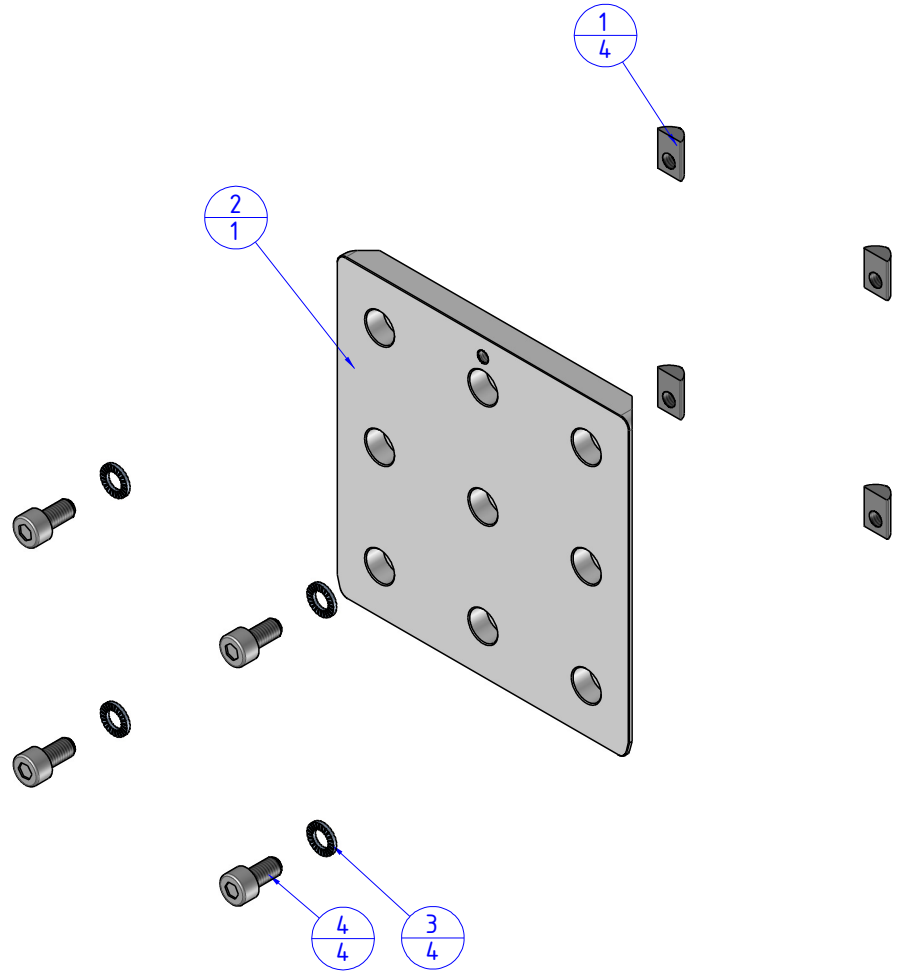


THE PROPERTY OF THE DRAWING IS ESTABLISHED BY LAW. IT IS FORBIDDEN TO PRODUCE OR SHOW IT TO THIRD PARTY, WITHOUT A WRITTEN AGREEMENT.

Item	Name	Qty.
1	02.05.003	4
2	GPM1.X	1
3	R.5.SCH	4
4	V.TCE5x10	4



Format A3
UNI 936-76

		DESIGNED FROM	REVIEW
		FPS Automation	A
GENERAL TOLERANCE	DESCRIPTION	DATE	WEIGHT
UNI - ISO 2768		25/07/2019	0.212kg
CLASSE f		CODE	CA.GPM1.5
CA.GPM1.5		CA.GPM1.5	